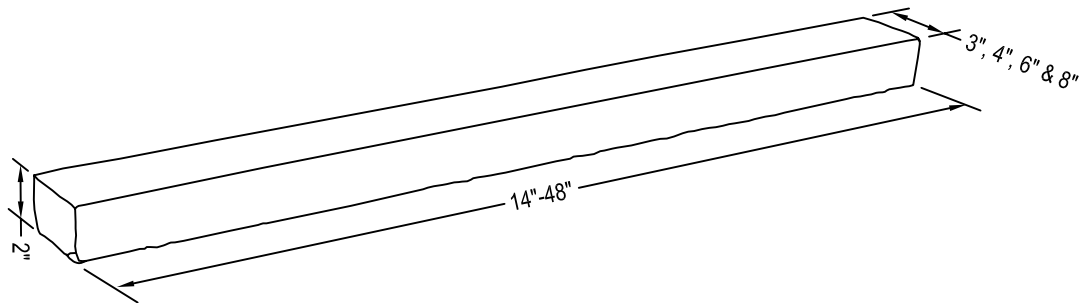


STONE

K2 STONE
930 MAUGHAN ROAD DUKE POINT
INDUSTRIAL PARK
NANAIMO, BC V9X 1J2
TOLL FREE: 1-866-722-2420
FAX: (250) 722-2406
www.k2stone.ca

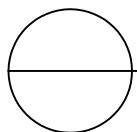


ISOMETRIC

BED DEPTHS CAN VARY $\pm 1/8$ "
CAPPING THICKNESS CAN VARY $\pm 1/16$ "
LENGTH IS MEASURED WITHIN THE USABLE LENGTH OF STONE
CUT FRONT/BACK & TOP/BOTTOM WITH FLAMED FRONT
CAPPING MAY HAVE SAW MARKS ON ONE SIDE
CUT ENDS, SPECIFIC LENGTHS AND ADDITIONAL FLAMING CAN BE REQUESTED FOR AN ADDITIONAL FEE
LISTED MEASUREMENTS ARE TYPICAL ADDITIONAL SIZES MAY BE AVAILABLE UPON REQUEST

NOTES:

1. INSTALLATION TO BE COMPLETED IN ACCORDANCE WITH MANUFACTURER'S SPECIFICATIONS AND LOCAL BUILDING CODES
2. FOR EXACT SPECIFICATION CONTACT MANUFACTURER.
3. DO NOT SCALE DRAWING.
4. THESE DRAWINGS ARE NOT FOR CONSTRUCTION PURPOSES AND ARE FOR INFORMATION PURPOSES ONLY. ALL INFORMATION CONTAINED HEREIN WAS CURRENT AT THE TIME OF DEVELOPMENT BUT MUST BE REVIEWED AND APPROVED BY THE PRODUCT MANUFACTURER TO BE CONSIDERED ACCURATE.
5. CONTRACTOR'S NOTE: FOR PRODUCT AND COMPANY INFORMATION VISIT WWW.CADDETAILS.COM/INFO REFERENCE NUMBER 4824-032.



CAPPING

NEWCASTLE CAPPING