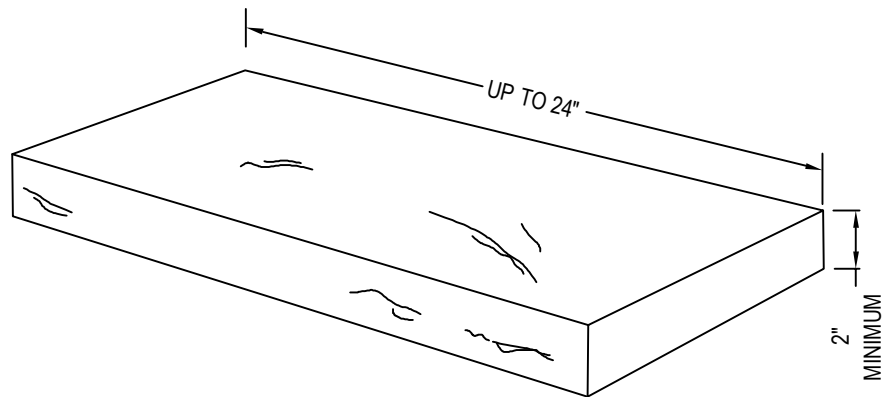




K2 STONE
930 MAUGHAN ROAD DUKE POINT
INDUSTRIAL PARK
NANAIMO, BC V9X 1J2
TOLL FREE: 1-866-722-2420
FAX: (250) 722-2406
www.k2stone.com



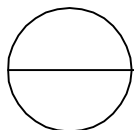
ISOMETRIC

CROWN ISLE GRANITE WALL CAPS PROVIDE A UNIQUE FINISHING ACCENT FOR INDOOR OR OUTDOOR WALLS. OUR CROWN ISLE GRANITE WALL CAP HAS A CUT TOP, BOTTOM AND FLAMED SIDES. FLAMING IS A PROCESS THAT SUPER-HEATS A CUT STONE FACE TO PRODUCE A NATURAL TEXTURED LOOK.

K2 STONE CAPPING CAN BE TAILORED TO FIT YOUR SPECIFIC APPLICATION, OUR WALL CAPPING IS AVAILABLE IN WIDTHS UP TO 24", OUR WALL CAPS ARE A MINIMUM OF 2" THICK AND FLAMED ON ALL FOUR SIDES.

NOTES:

1. INSTALLATION TO BE COMPLETED IN ACCORDANCE WITH MANUFACTURER'S SPECIFICATIONS AND LOCAL BUILDING CODES
2. FOR EXACT SPECIFICATION CONTACT MANUFACTURER.
3. DO NOT SCALE DRAWING.
4. THESE DRAWINGS ARE NOT FOR CONSTRUCTION PURPOSES AND ARE FOR INFORMATION PURPOSES ONLY. ALL INFORMATION CONTAINED HEREIN WAS CURRENT AT THE TIME OF DEVELOPMENT BUT MUST BE REVIEWED AND APPROVED BY THE PRODUCT MANUFACTURER TO BE CONSIDERED ACCURATE.
5. CONTRACTOR'S NOTE: FOR PRODUCT AND COMPANY INFORMATION VISIT WWW.CADDDETAILS.COM/INFO REFERENCE NUMBER 4824-084.



CAPPING

STONE WALL CAPPING: CROWN ISLE GRANITE